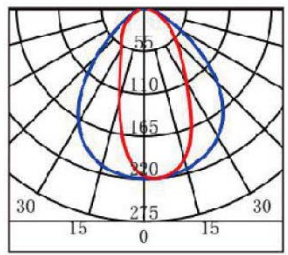
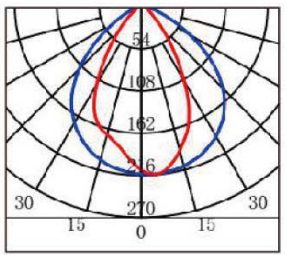




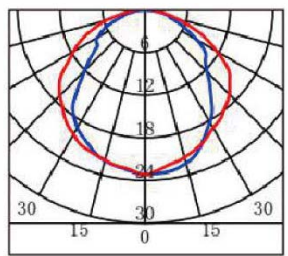
Hibaylight



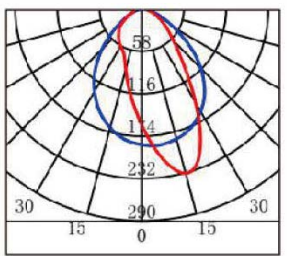
30°x90°



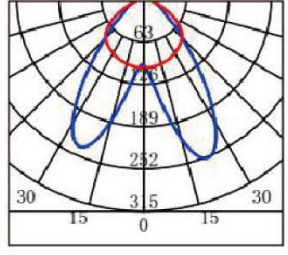
60°x110°



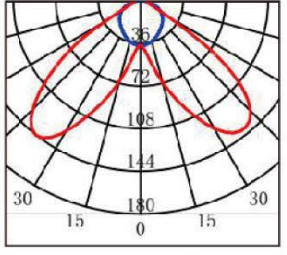
120°x120°



L18°



D25°



D40°

Catalog Number	
Notes	Type

Designed for high ceilings in grocery & big box stores as well as warehouses, manufacturing plants, school cafeterias, hangars, and other large indoor spaces, these fixtures stay bright for an average of 50,000 operating hours, significantly reducing the frequency with which your maintenance crew will have to do inconvenient lamp replacements in hard-to-reach areas.

The luminaire has instant on/off. It can be optioned with sensors to detect and respond to motion and daylight. Through programming, the luminaire will dim to a pre-set %, or off, then resume on renewed detection of movement or failing natural light. It creates strong visual presence with its balanced symmetry and robust styling.

The SEPICN linear High Bay with Uplight creates a more positive experience and extends the time a shopper will remain in the store.

The SEPICN linear High Bay with Uplight has a wall plug efficacy (energy to visible light) of up to 145 lumens per watt, and a life expectancy well in excess of 100,000 hours.

It provides up to 55,100 lumens down-lighting, and simultaneously 2,000 lumens up-lighting.

Engineered with excellent internal heat sinking and external heat shedding allows best in class Lumileds Luxeon LEDs to be run at optimal levels whilst well below the manufacturer's maximum junction temperature recommendation, which extends the life expectancy of the LEDs.

SEPICN has brought together optimal materials and latest technology to produce a far superior light fixture.

ELECTRICAL

Input Voltage:90-305V AC,50/60HZ
 Power Factor:>0.95
 Power Efficiency:>88%

LED CHIP

LUXEON 3030 2D is the first hot-color targeted mid power LED. Hot-color targeting ensures that the LEDs are within color target at application conditions——85 C

HOUSING & FINISH

6063 Aluminum Anodic Oxidation Acrylic lens

WARRANTY

10 years.

OPTICAL

Lumen Efficiency: 140 lm/W
 CRI: Ra>80
 CCT: 4000K/5000K/5700K
 Beam Angles: 30°x90°, 60°x110°, 90x110, 120x°120°, L18°, D25°, D40°

INTENDED USE

LED High Bay fixture ideal for large indoor spaces, including warehouses, gymnasiums and distribution centers that require mounting heights from 15 to 50 feet. Available in 140W, 190W, 225W 340W 410W Watt versions with equivalencies from 200 to 1000 Watt metal halide fixtures.

ORDERING INFO

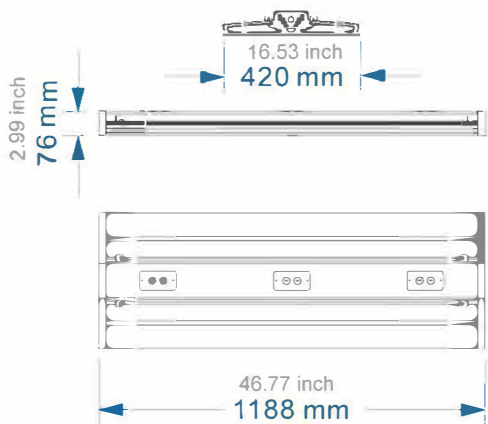
MODEL	POWER	DRIVER	VOLTAGE	LUMENS	CCT	DIM	IP & IK
HC-HBU-140W	100W	HLG-100	90-305VAC	17500	5700K	DALI	IP54 & IK08
HC-HBU-150W	150W	HLG-150	90-305VAC	23750	5700K	DALI	IP54 & IK08
HC-HBU-200W	200W	HLG-200	90-305VAC	27000	5700K	DALI	IP54 & IK08
HC-HBU-300W	300W	2XHLG-150	90-305VAC	40800	5700K	DALI	IP54 & IK08
HC-HBU-380W	380W	2XHLG-185	90-305VAC	49200	5700K	DALI	IP54 & IK08



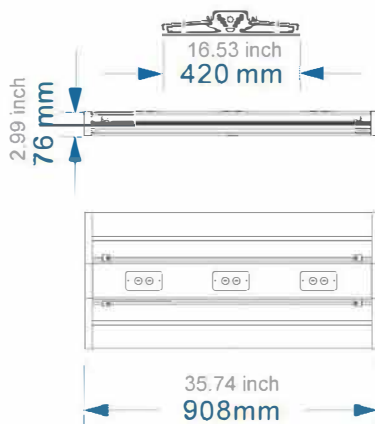
Remarks:

CCT:2700K/3000 K/4000K/5000K/5700 K for optional.
 DIM:0-10V,PMW & Resistance for option.

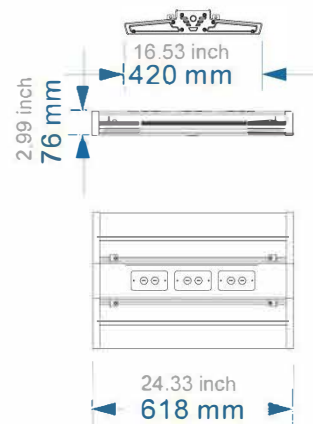
► **DIMENSION**



HC-HBU-300W
HC-HBU-380W

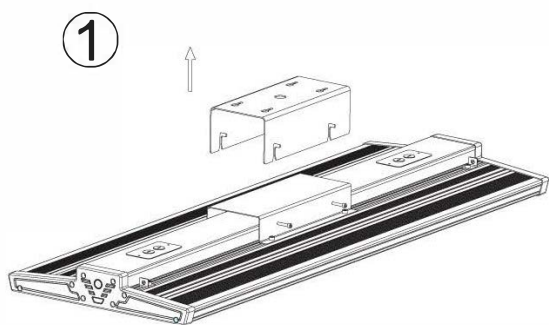


HC-HBU-150W
HC-HBU-200W

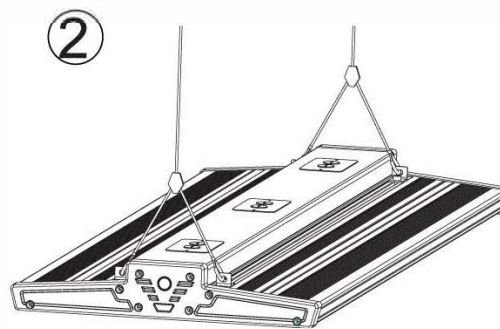


HC-HBU-100W

► **INSTALLATION**



Surface mounted



Suspended

► **PACKING INFO**

MODEL	N.W(KGS)	PCS/CTN	G.W(KGS)	SIZE(MM)
HC-HBU-100W	5.8	1	6.6	700*500*150
HC-HBU-150W	7.8	1	8.8	980*500*150
HC-HBU-200W	7.8	1	8.8	980*500*150
HC-HBU-300W	11.8	1	12.8	1260*500*150
HC-HBU-380W	11.8	1	12.8	1260*500*150